

THIS DRAWING IS UNPUBLISHED.

RELEASED FOR PUBLICATION

© COPYRIGHT - By -

ALL RIGHTS RESERVED.

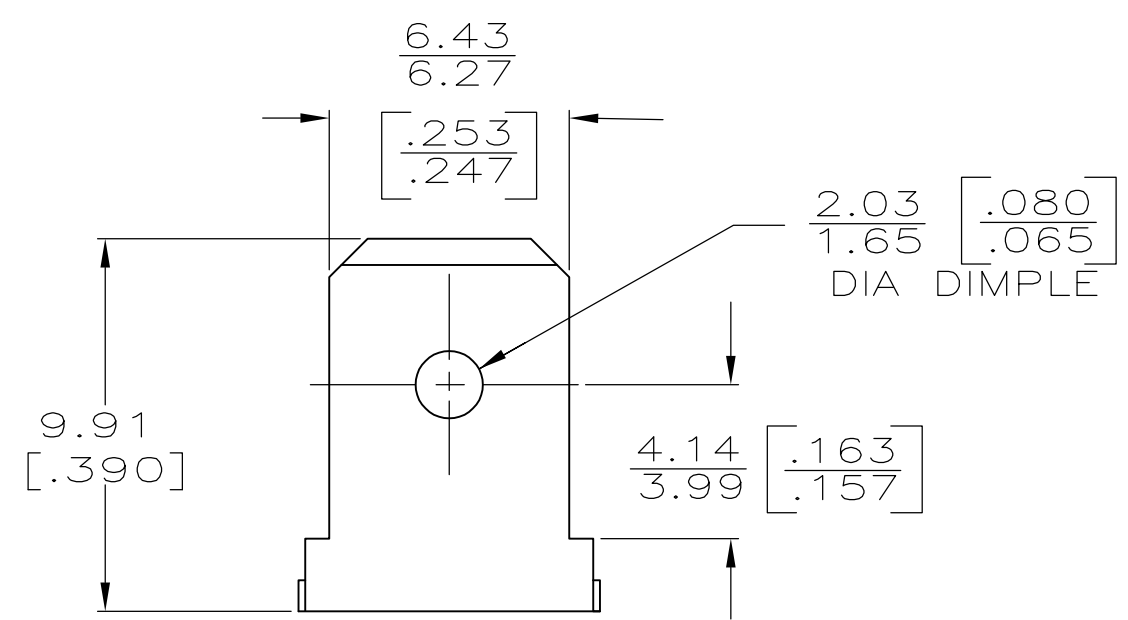
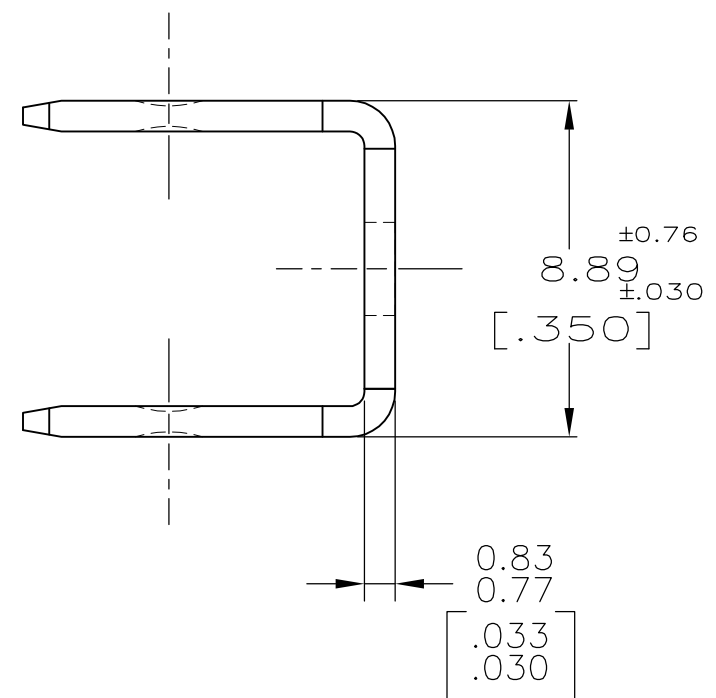
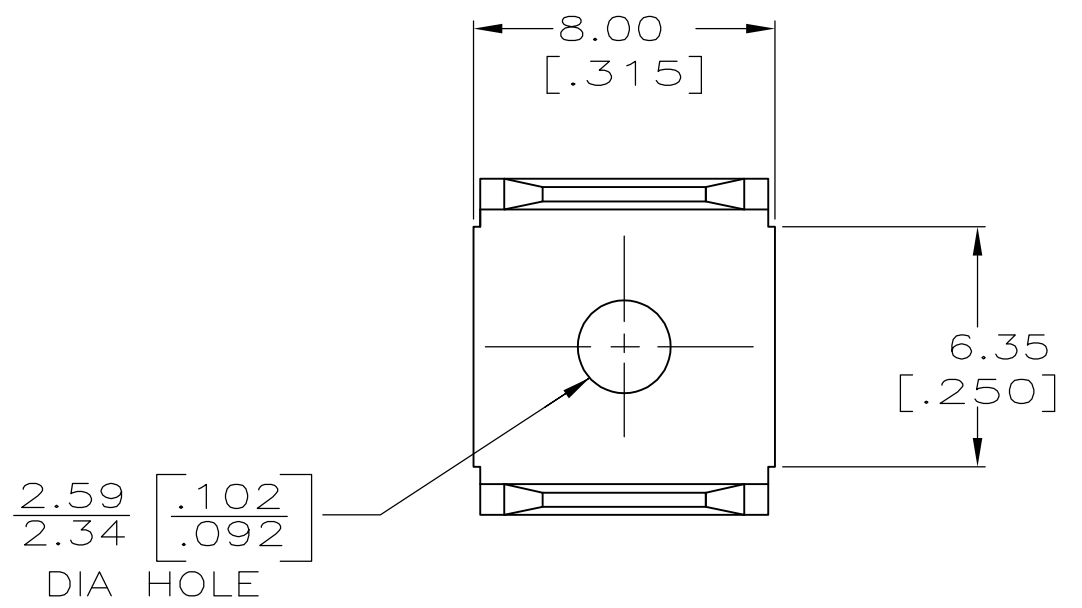
LOC AF DIST 50

REVISIONS


P	LTR	DESCRIPTION	DATE	DWN	APVD
	AJ	REVISED PER ECR-13-011489	06DEC2013	KH	PD

1 SUPPLIED IN LOOSE PIECE.

2 PRELIMINARY - NOT FOR PRODUCTION.



TIN OVER COPPER	2 60080-3
TIN	60080-2
FINISH	PART NO

THIS DRAWING IS A CONTROLLED DOCUMENT.		DWN JR RUTH 12/2/91	 TE Connectivity					
DIMENSIONS: mm [INCHES]		CHK MS FEHER 12/2/91				NAME		
TOLERANCES UNLESS OTHERWISE SPECIFIED:		APVD MEYERS 12/2/91						
0 PLC ± - 1 PLC ± - 2 PLC ± - 3 PLC ± 0.38 [.015] 4 PLC ± - ANGLES ± -		PRODUCT SPEC				RESTRICTED TO		
MATERIAL BRASS		FINISH SEE TABLE	SIZE A3	CAGE CODE 00779	DRAWING NO C-60080			
		CUSTOMER DRAWING	SCALE 5:1	SHEET 1 OF 1	REV AJ			